



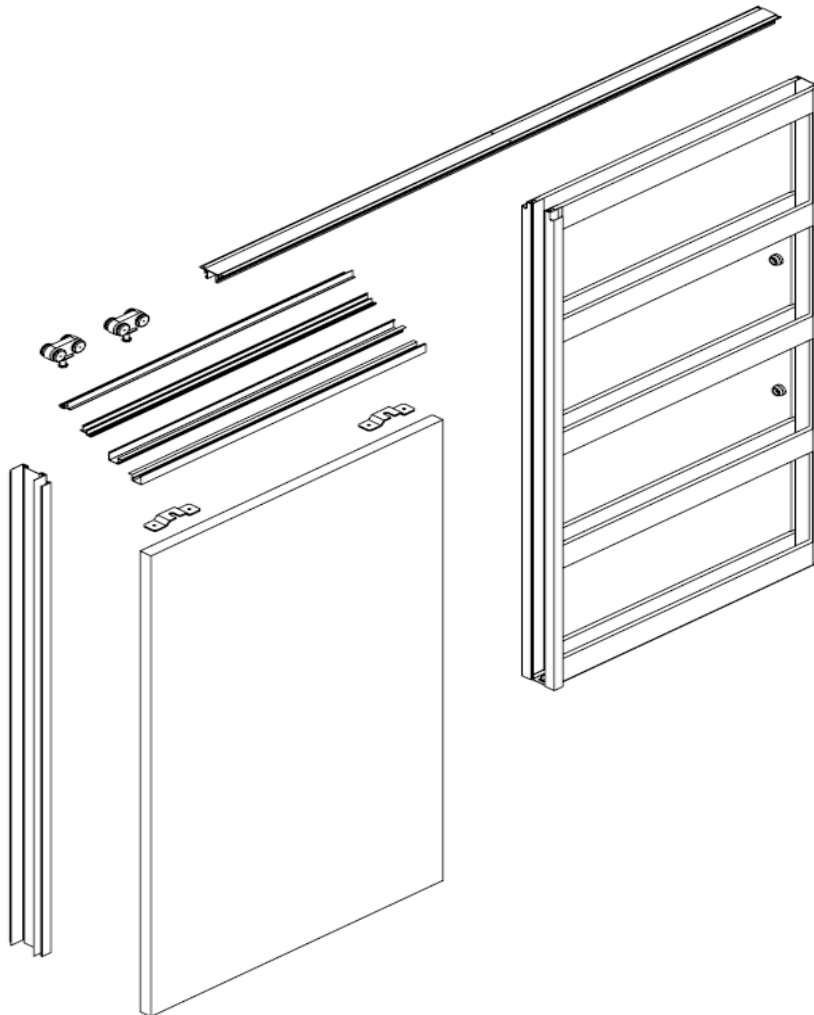
ARCHSKIRT
ALUMINIUM PARTITIONS

Archskirt Cavity Slider

An advanced aluminium frame sliding system that provides fast installation and a superior finished product.

Designed to suit a variety of commercial applications, the Archskirt Cavity Slider boasts a solid aluminium construction and supports a wide range of door thickness, from 35mm to 44mm.

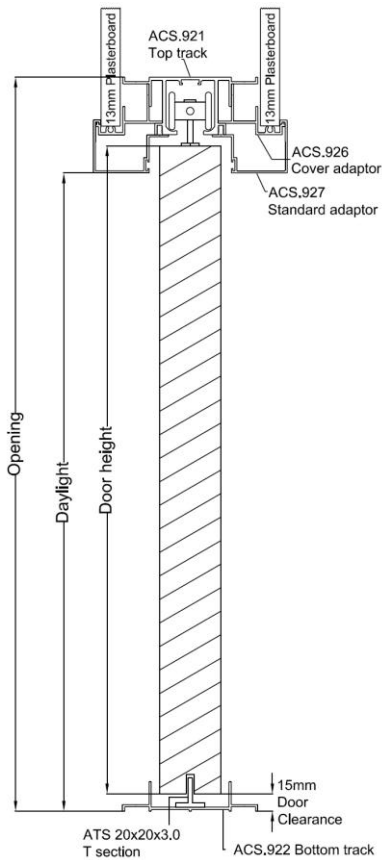
Made to order and available in both natural anodised and powder coated colour finishes.



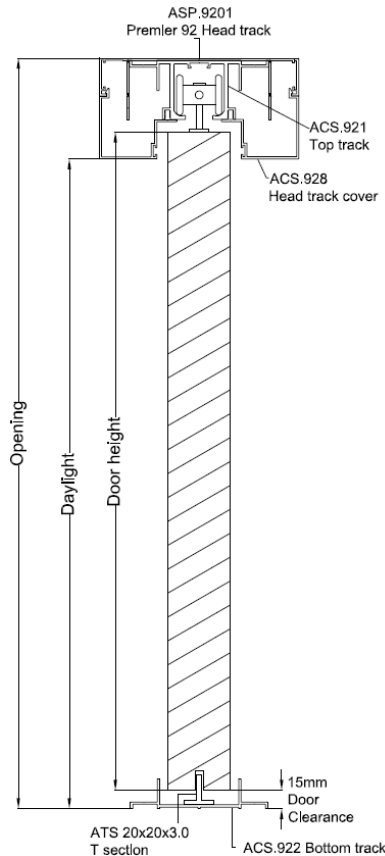
In depth product characteristics and application benefits:

- Removable head track covers allow for easy modifications and adjustments to the system
- Doors and rollers can be easily adjusted, removed and replaced; even after plastering
- Suits standard 13mm plaster and integrates seamlessly in many professional environments
- The 36mm reveal matches perfectly with all Archskirt Premier Partition Suites
- Can be designed to ceiling height and integrated with the head track of Premier Suite 92
- Suitable for both aluminium and timber doors in a range of thickness, from 35mm to 44mm
- Designed for a quick and easy installation which requires simple, minimal fixing
- Entire system tailored to your specifications, including door projection, door height and width, cavity height and width, and floor clearance
- Custom options available such as a locking system for aluminium doors
- Can be tailored to a bi-parting sliding Cavity System
- Increase OHS compliance by eliminating the risk associated with a hinged door of swinging into another person
- Choosing an aluminium sliding frame with a transparent glass door creates a positive transfer of light between rooms and corridors, increasing safety and OHS compliance
- Opens up usable space that a hinged door would restrict; making it ideal for small rooms, corner rooms, partitioned offices, conference rooms and balconies
- An architecturally appealing, elegant design with effortless and quiet operation, creating a refined “open-plan” aesthetic

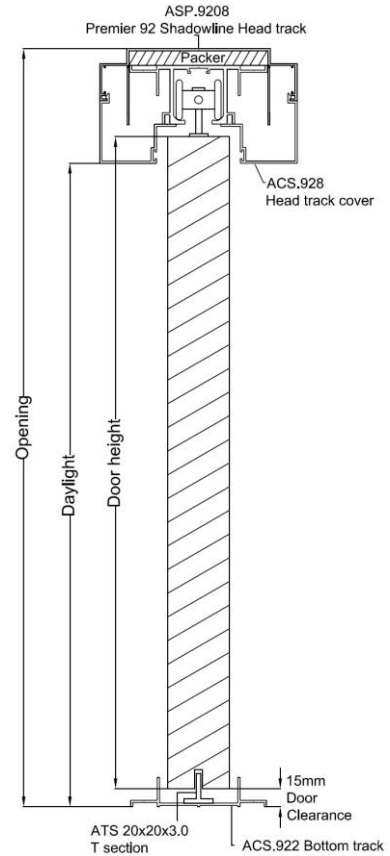
Archskirt Cavity Slider Vertical CAD view and formulae:



Archskirt Cavity Slider System



With Premier 92 Head Track



With Premier 92 Shadowline Head Track

Formulae:

Based on 15mm door clearance;

Archskirt Cavity Slider System

Ceiling height - 70mm = door height

Daylight height - 5mm = door height

With Premier 92 Head Track

Ceiling height - 71mm = door height

Daylight height - 5mm = door height

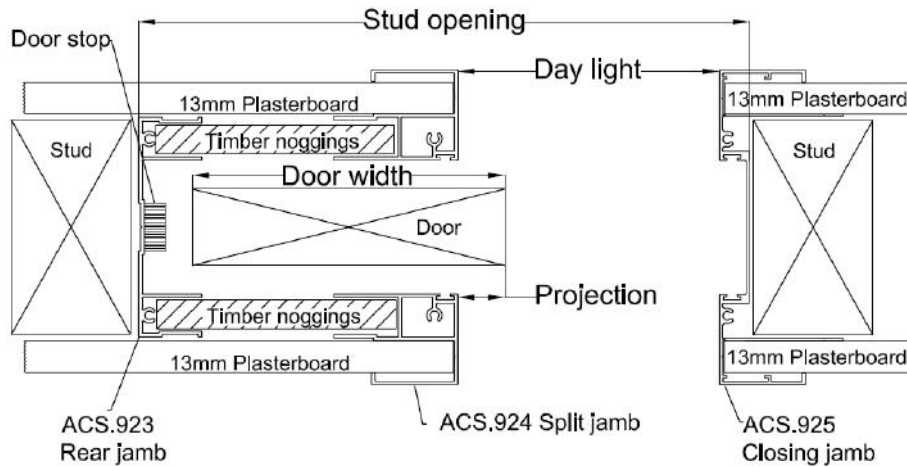
With Premier 92 Shadowline Head Track

Ceiling height - 81mm = door height

Daylight height - 5mm = door height

Archskirt Cavity Slider Horizontal CAD view and formulae:

Archskirt Cavity Slider



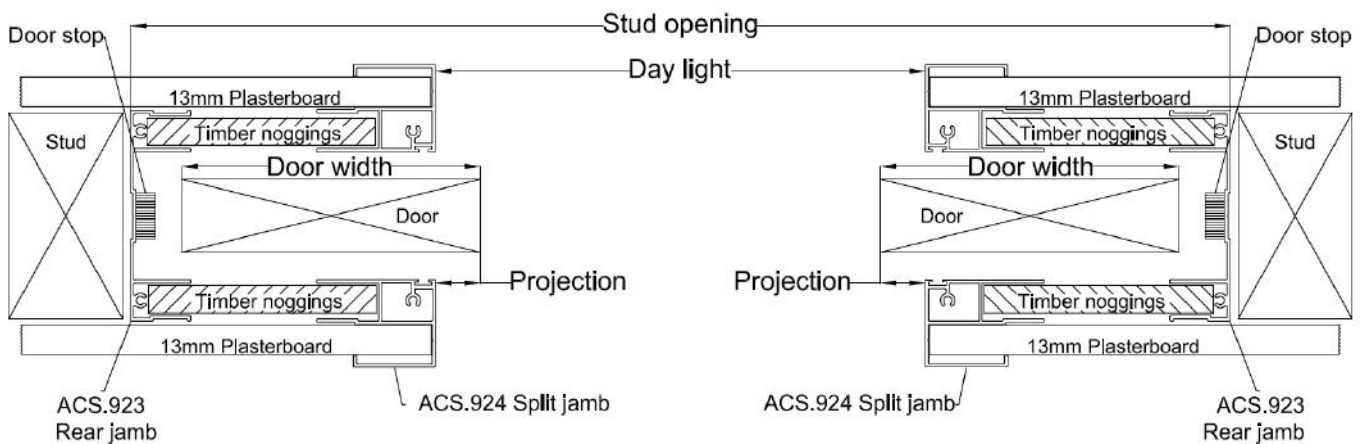
Formulae:

Based on 100mm projection;

$(\text{Stud to stud} + 107) \div 2 = \text{door width}$

$\text{Daylight width} + 31\text{mm} = \text{door width}$

Archskirt Bi Parting Cavity Slider



Formulae:

Based on 100mm projection;

$(\text{Stud to stud} + 217) \div 4 = \text{each door width}$

$(\text{Daylight width} + 40\text{mm}) \div 2 = \text{each door width}$